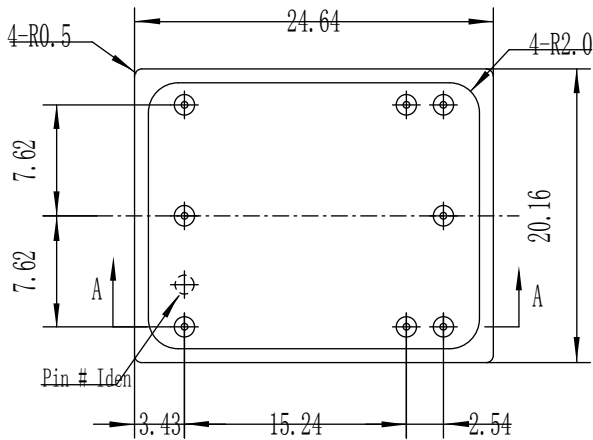
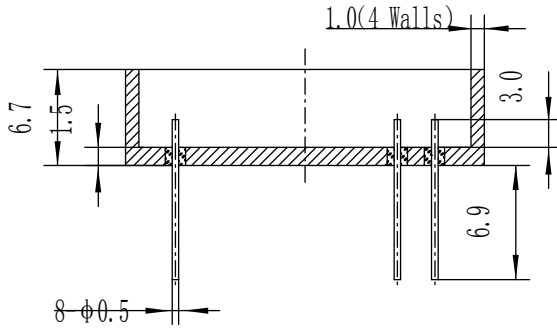


UPP2520 - 08

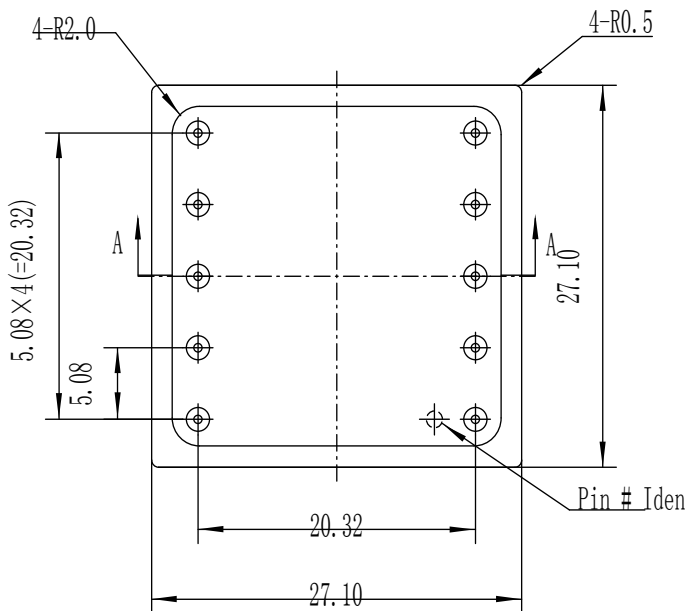
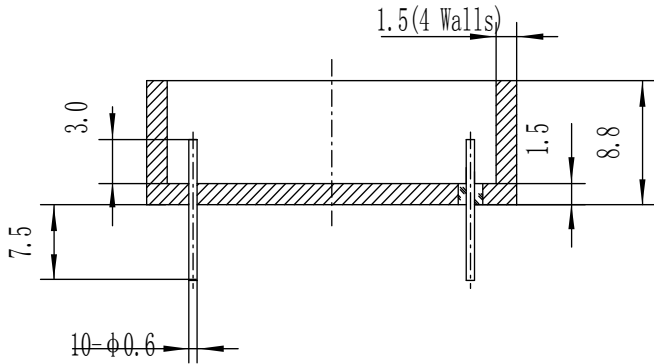
A _____ A



Base Material: CRS

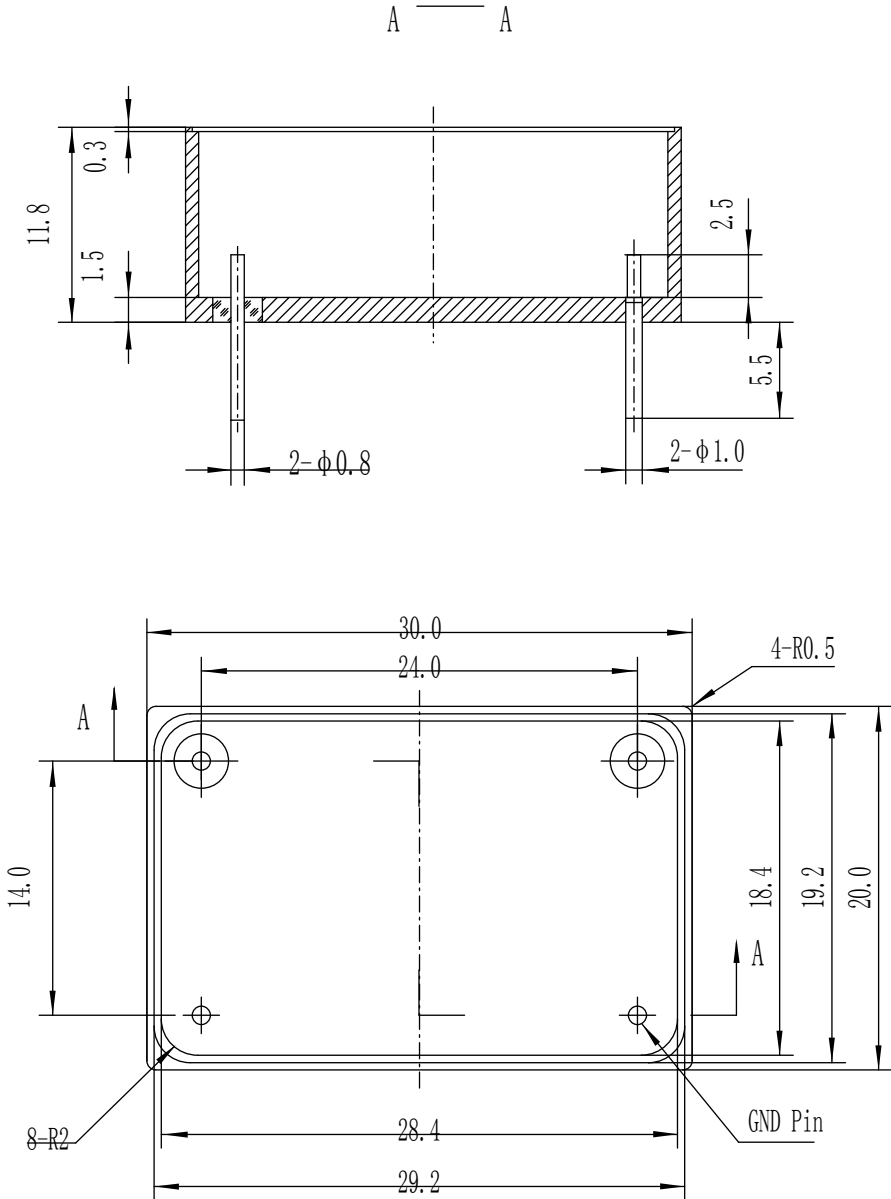
UPP2727 - 10

A — A



Base Material: CRS

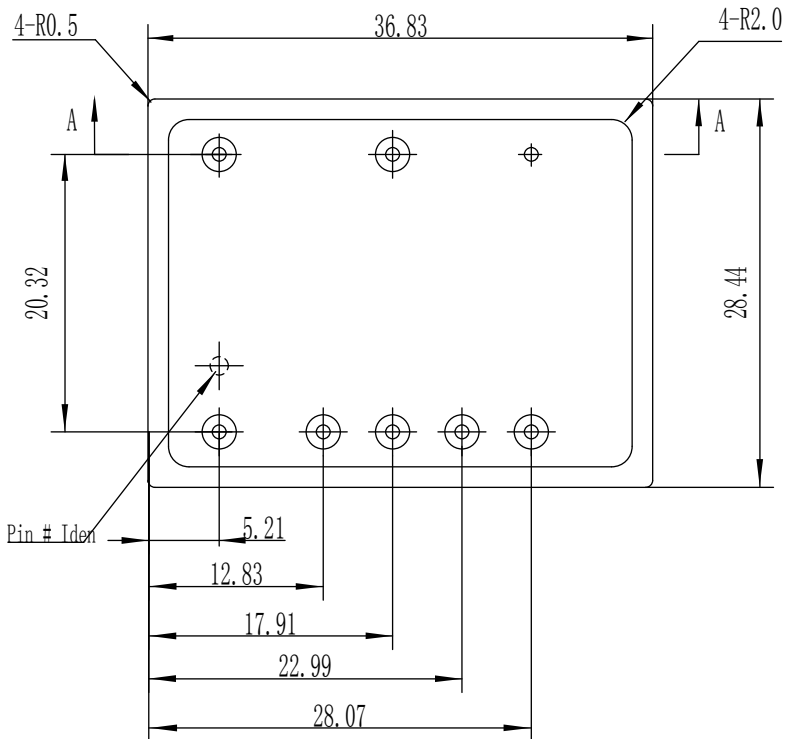
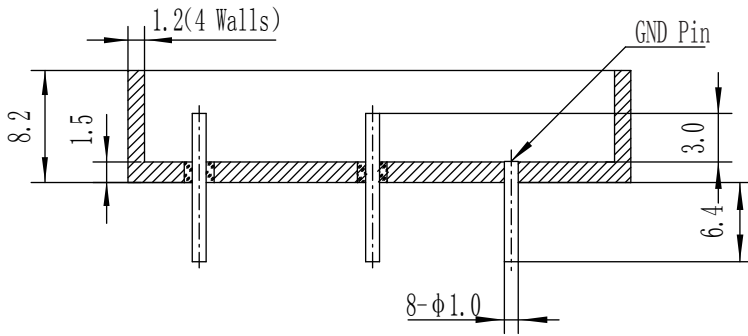
UPP3020 - 04



Base Material: CRS

UPP3728 – 08

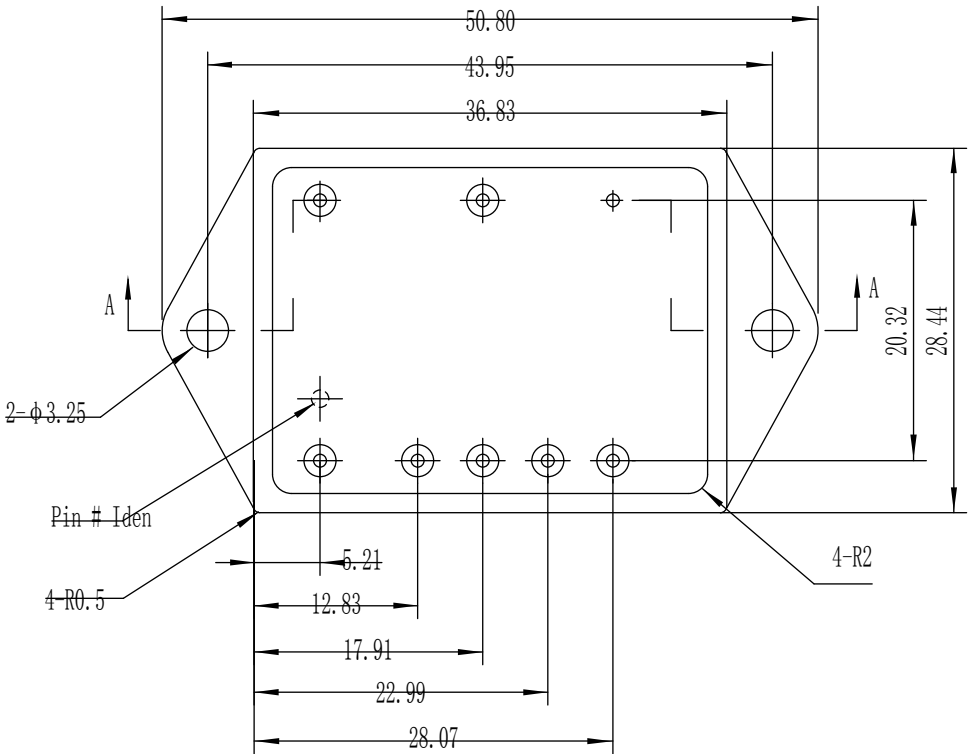
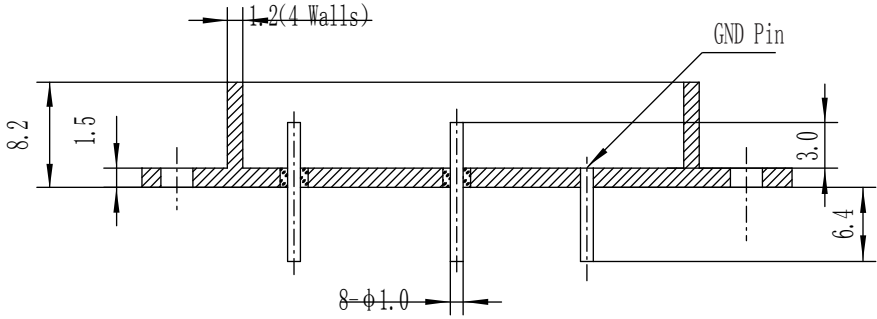
A — A



Base Material: CRS

UPP3728 - 08a

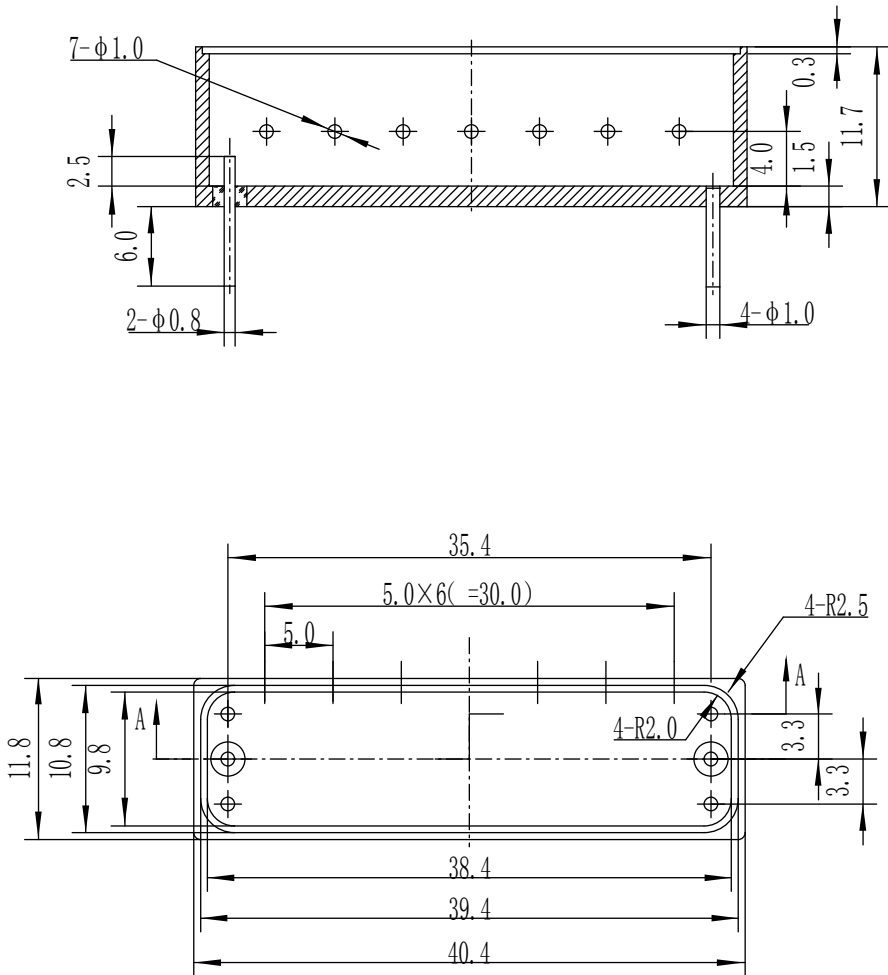
A — A



Base Material: CRS

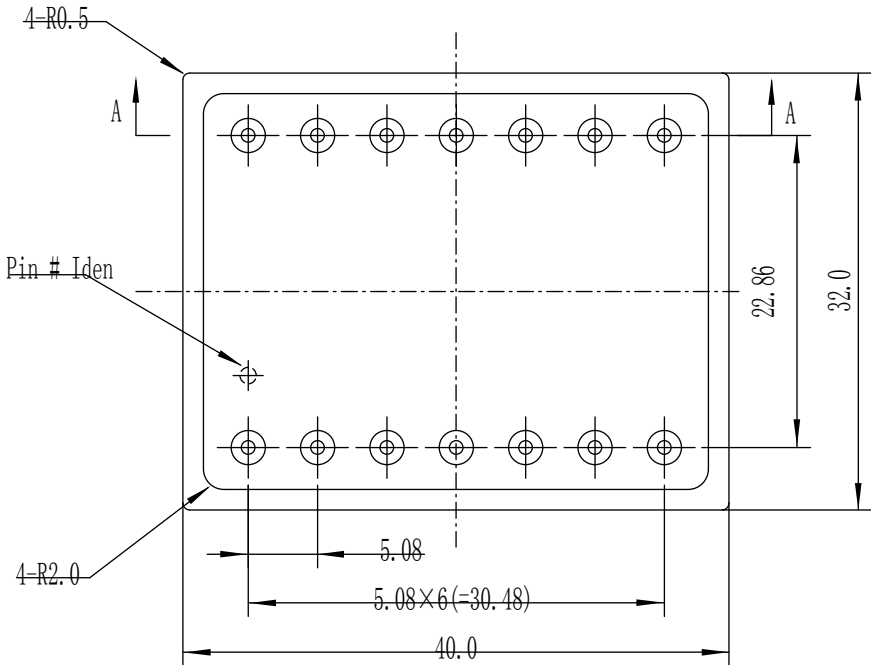
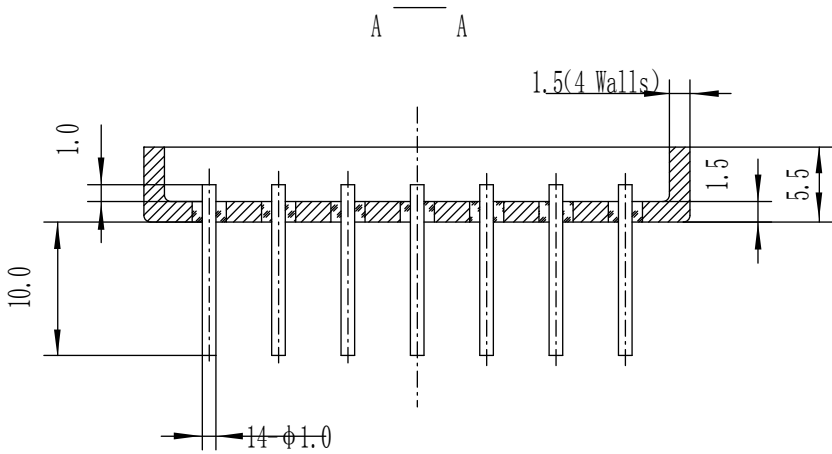
UPP4012 – 06

A — A



Base Material: CRS

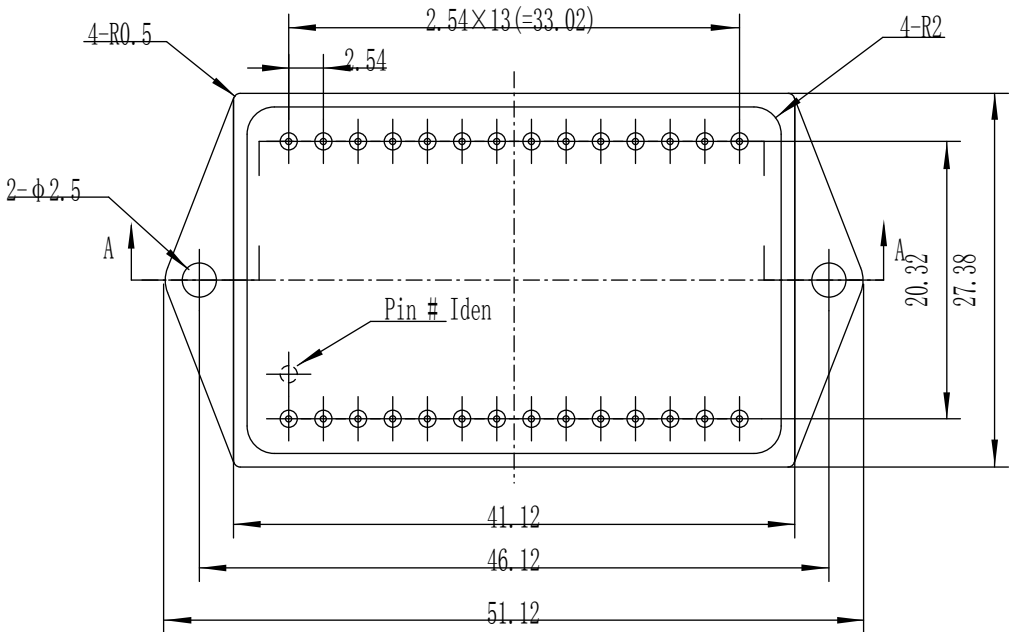
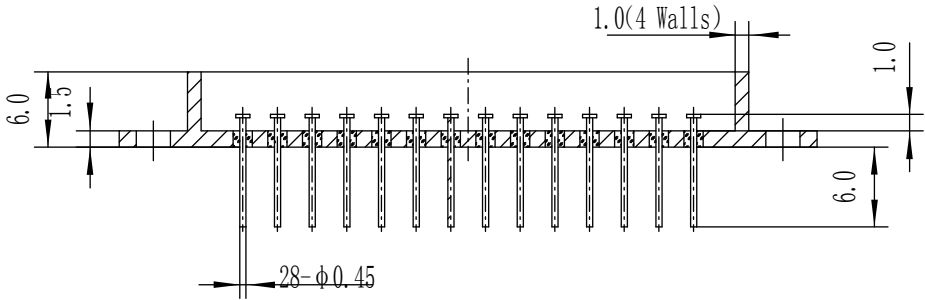
UPP4032 - 14



Base Material: CRS

UPP4127 - 28

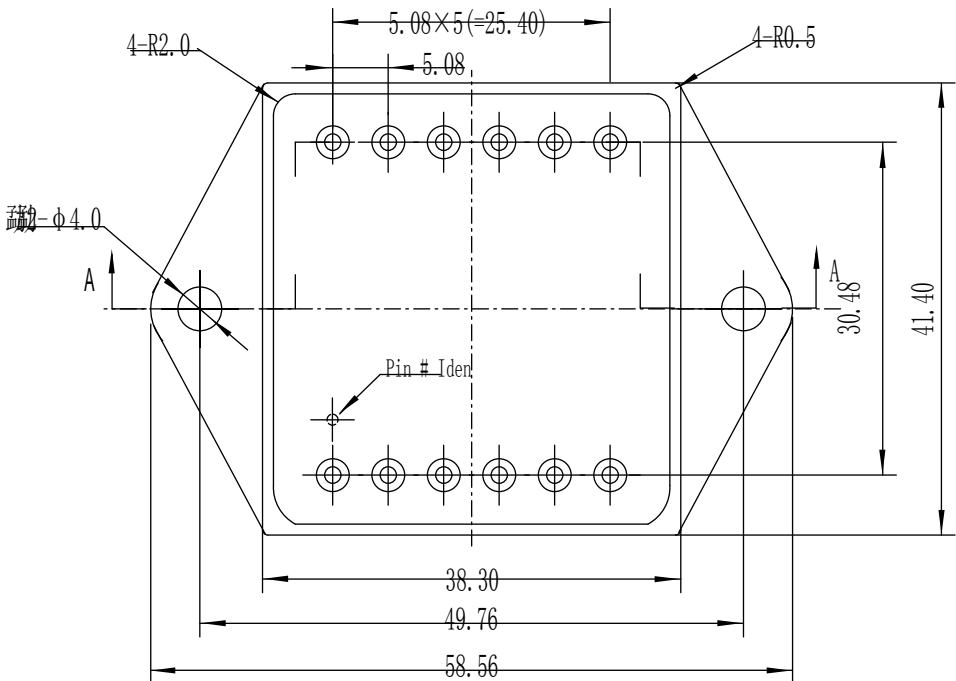
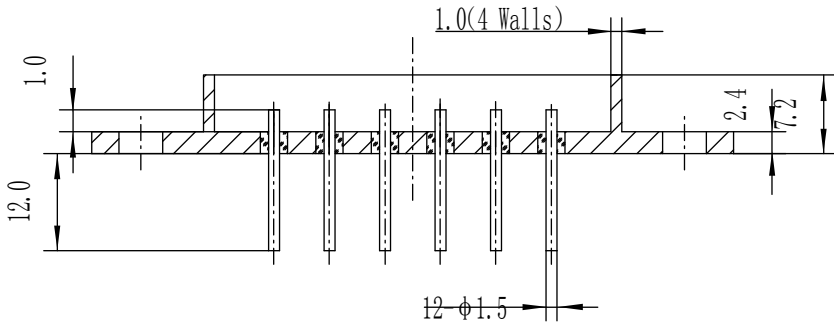
A — A



Base Material: CRS

UPP4138 - 12

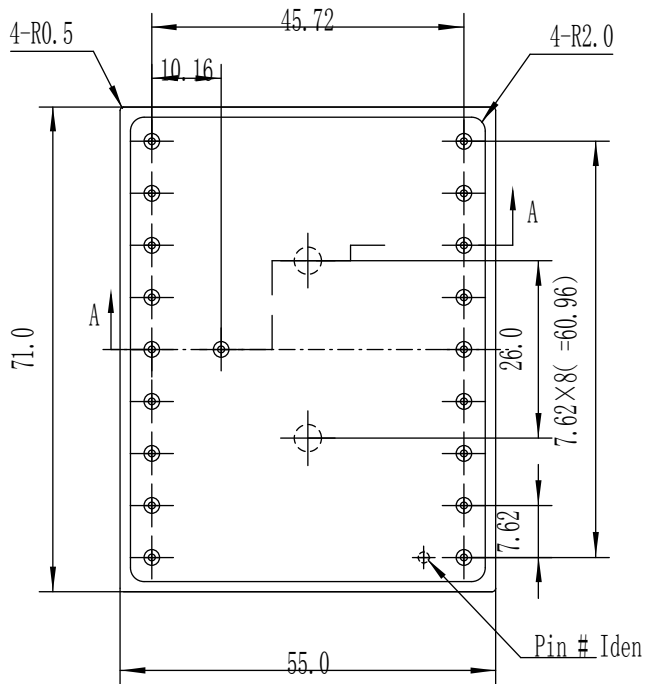
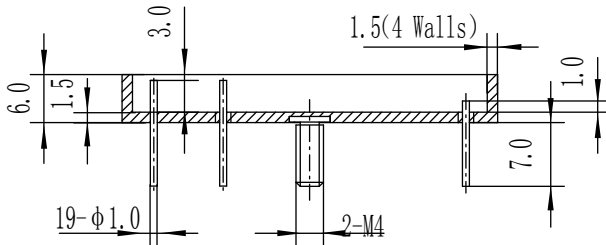
A — A



Base Material: CRS

UPP7155 - 19

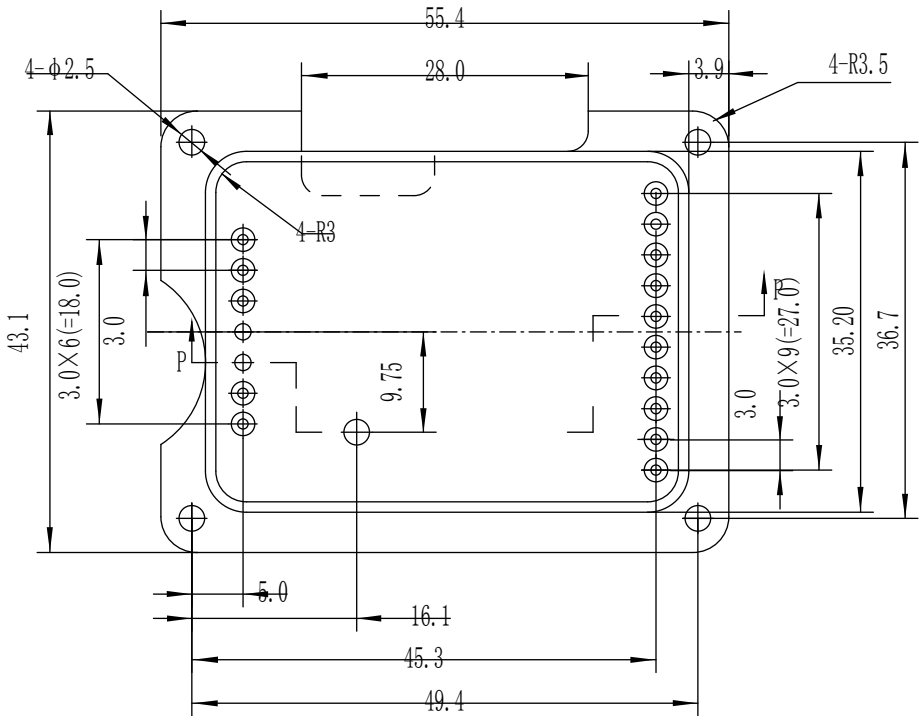
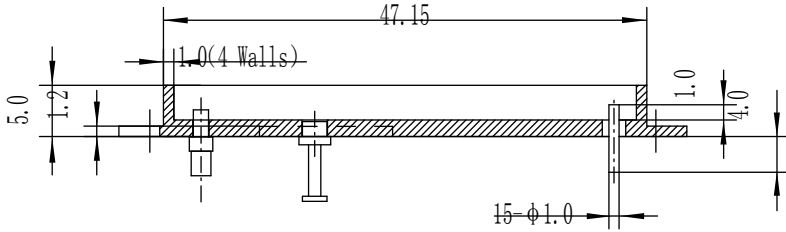
A — A



Base Material: CRS

UPP4735 - 17

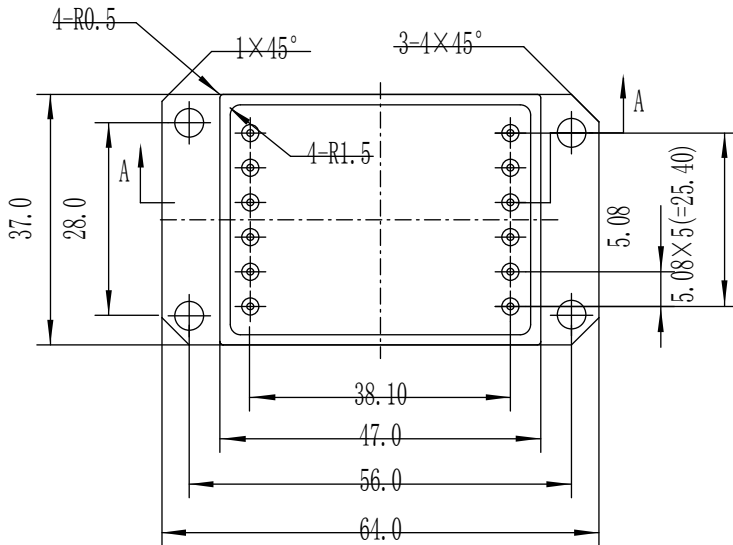
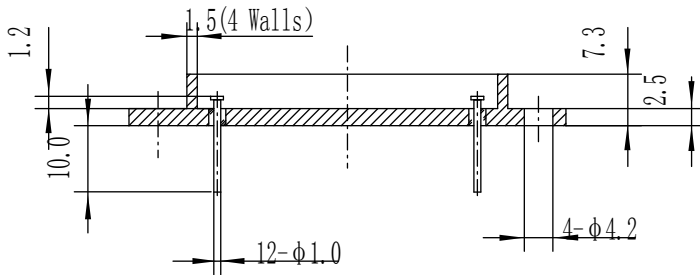
P — P



Base Material: CRS

UPP4737 - 12

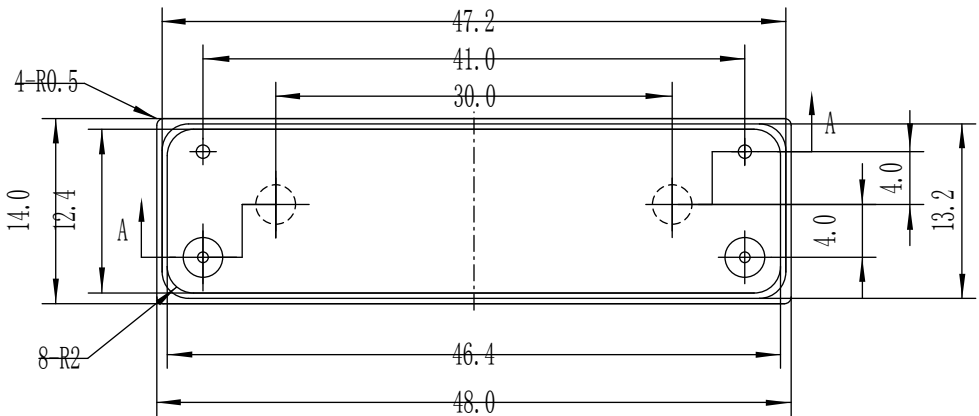
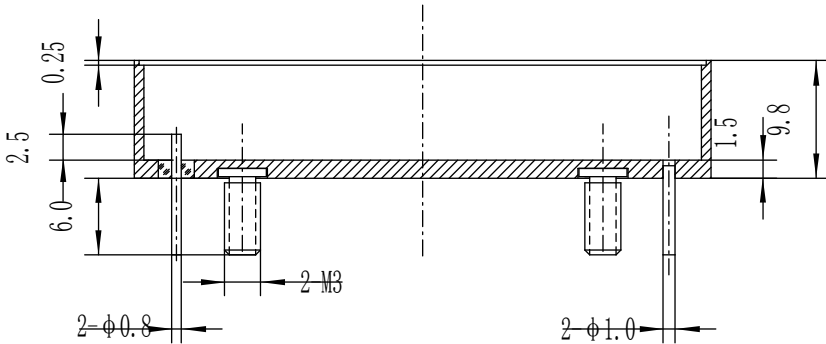
A — A



Base Material: CRS

UPP4814 - 04

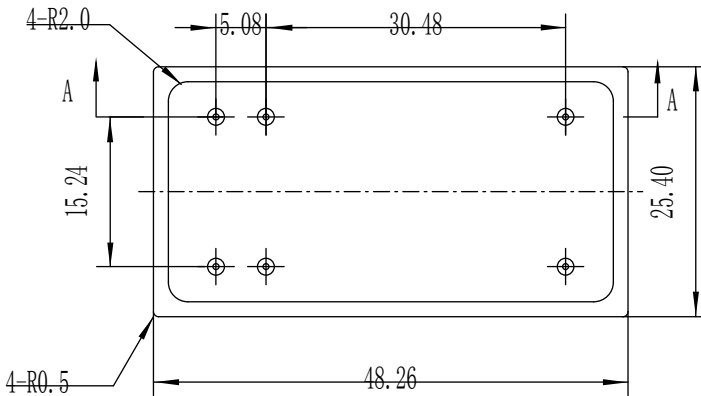
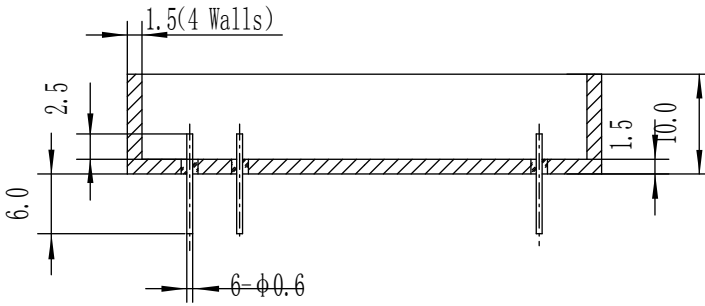
A — A



Base Material: CRS

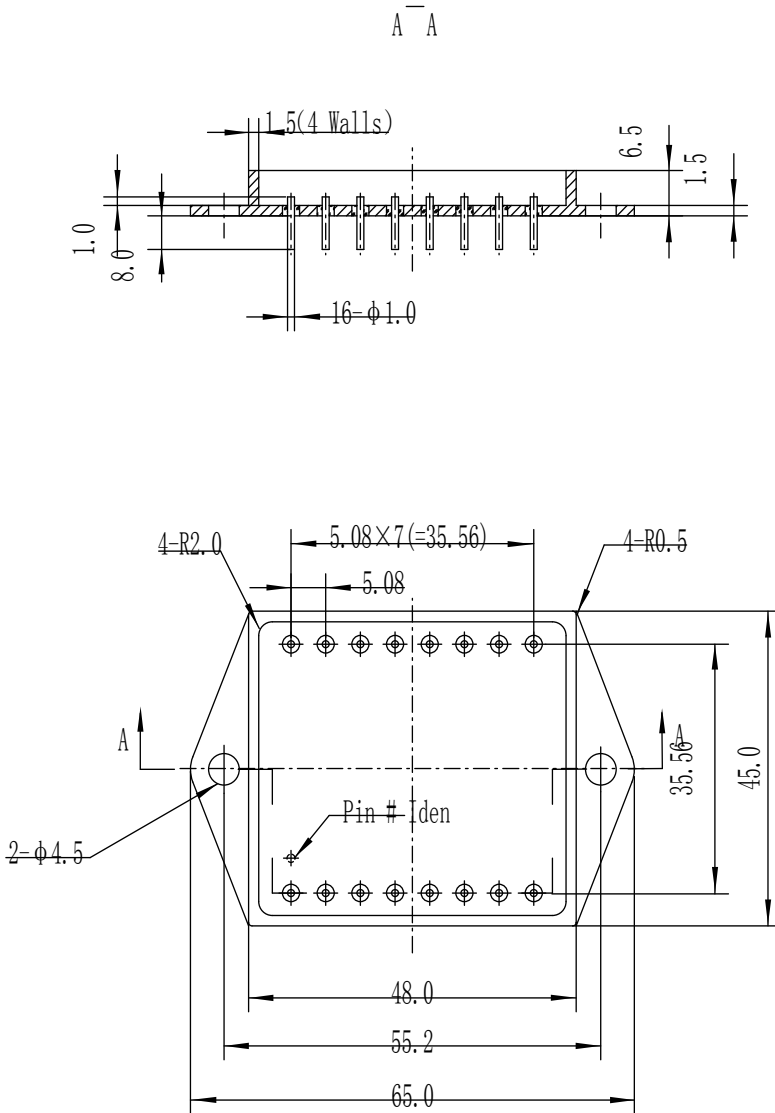
UPP4825 – 06

A ——— A



Base Material: CRS

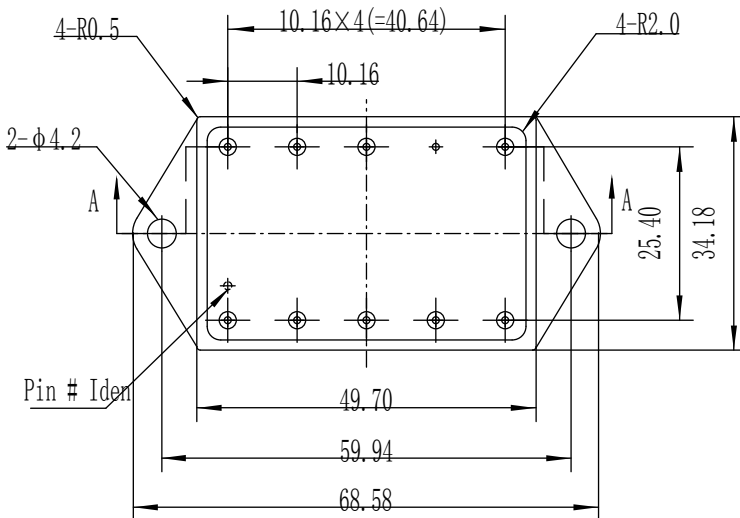
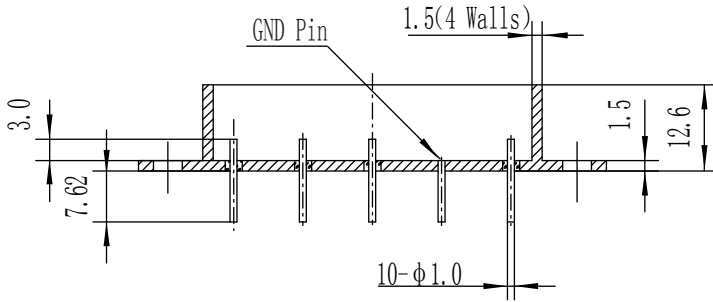
UPP4845 - 16



Base Material: CRS

UPP5034 – 10

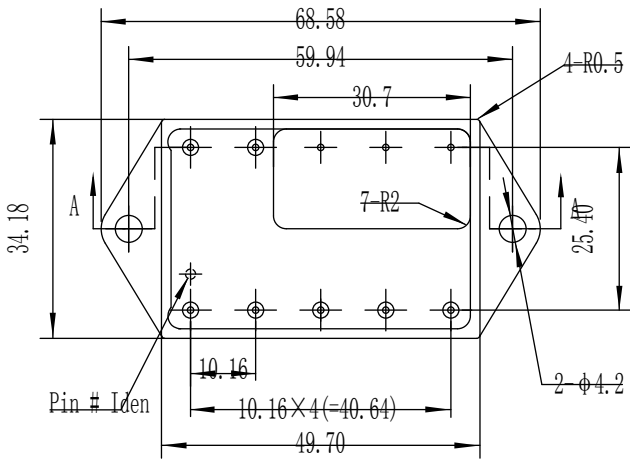
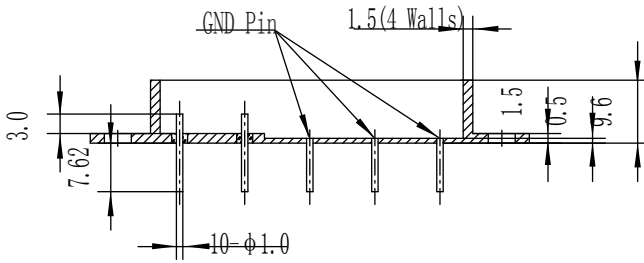
A — A



Base Material: CRS

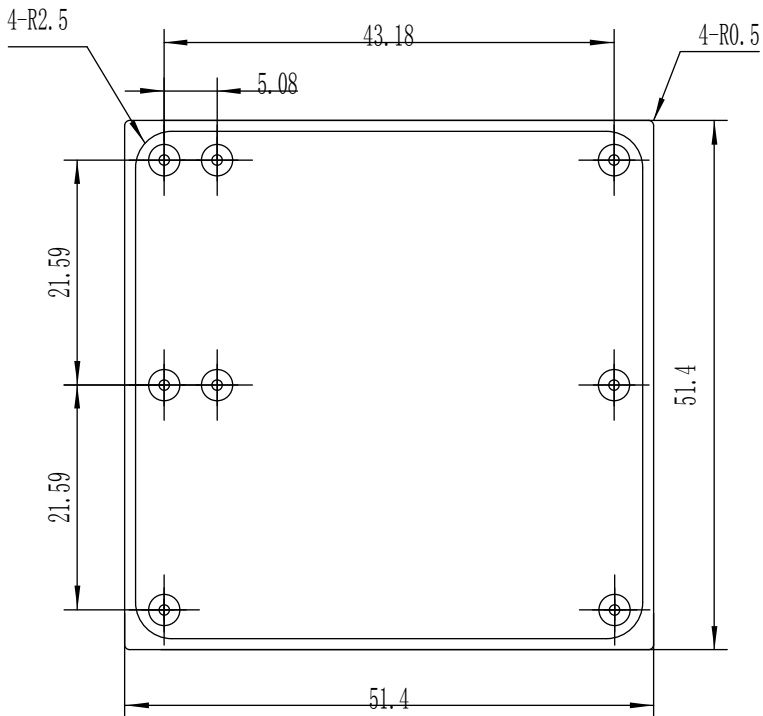
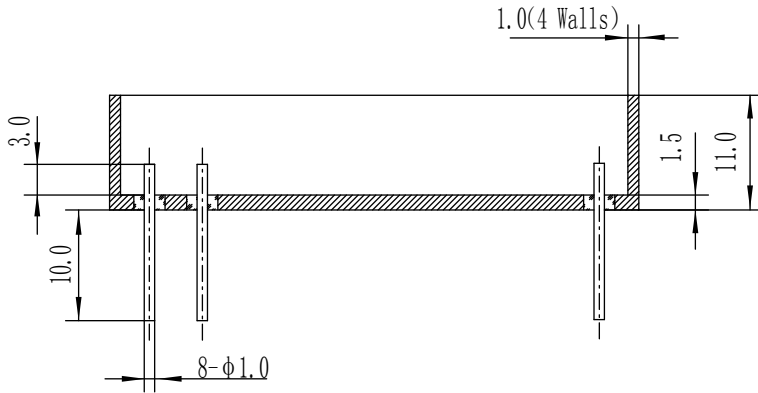
UPP5034 – 10a

A — A



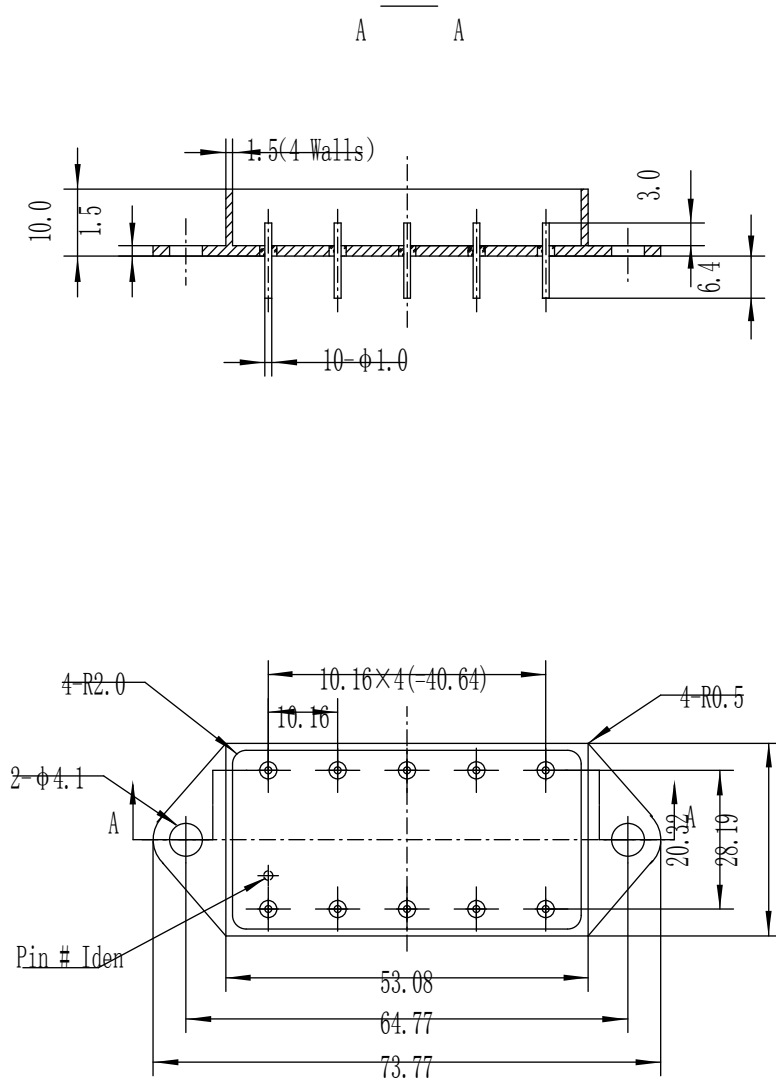
Base Material: CRS

UPP5151 - 08



Base Material: CRS

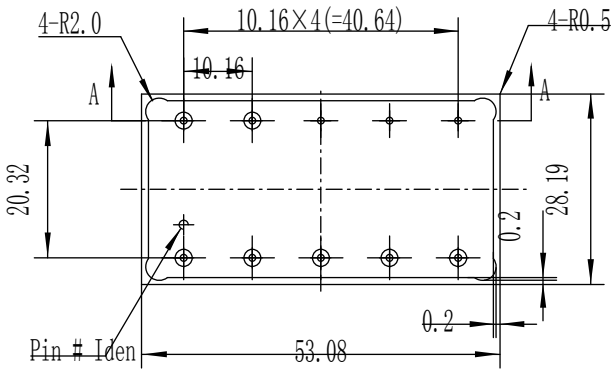
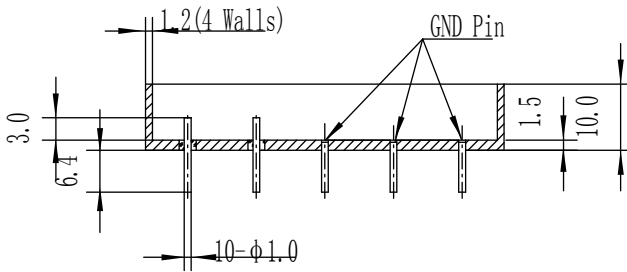
UPP5328 - 10



Base Material: CRS

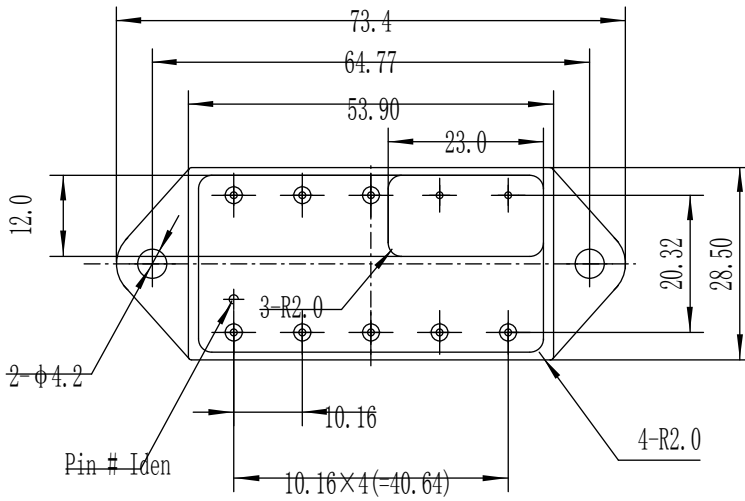
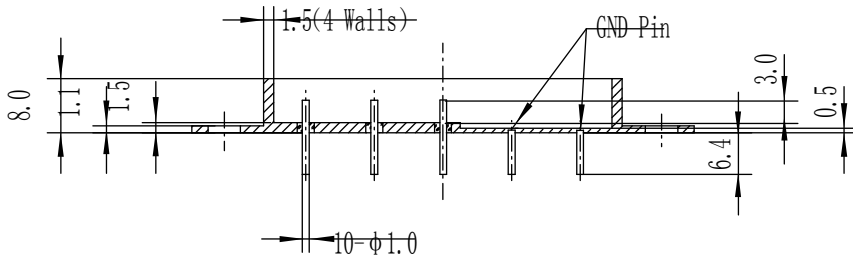
UPP5328 – 10a

A — A



Base Material: CRS

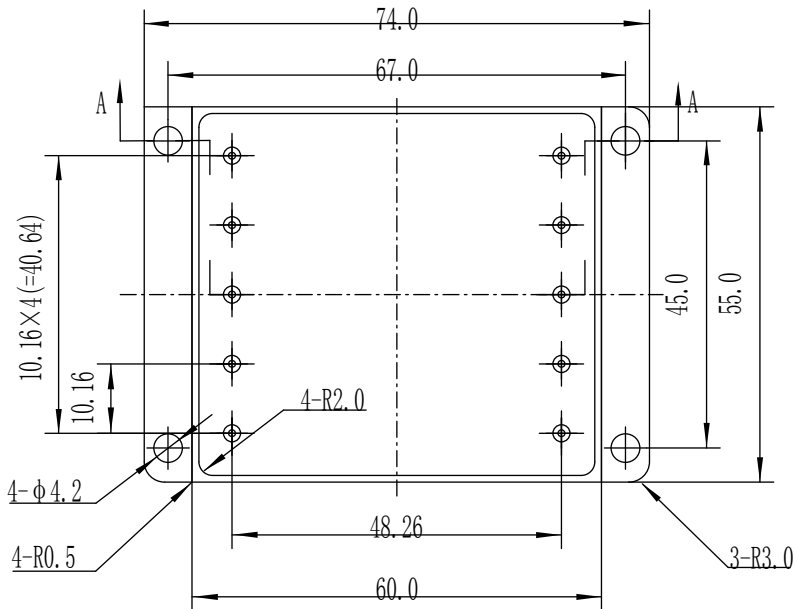
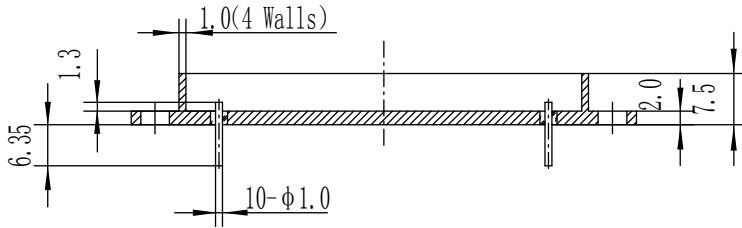
UPP5429 - 10



Base Material: CRS

UPP6055 - 10

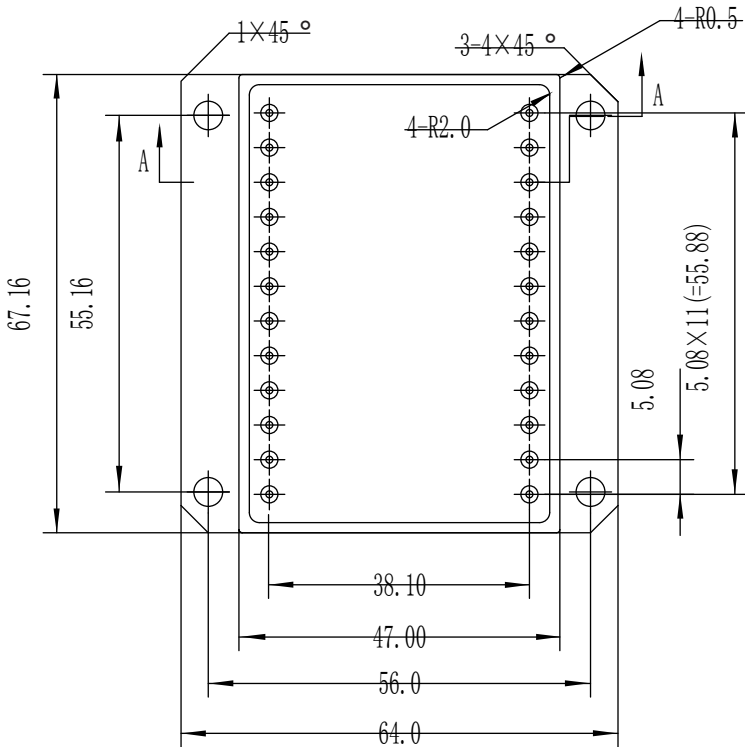
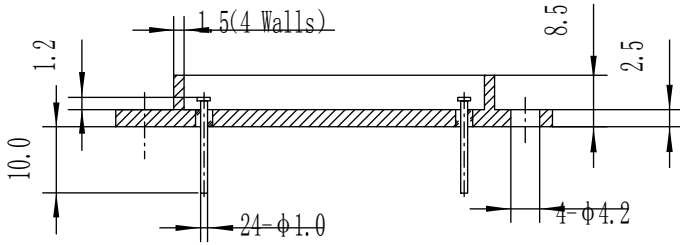
A — A



Base Material: CRS

UPP6747 - 24

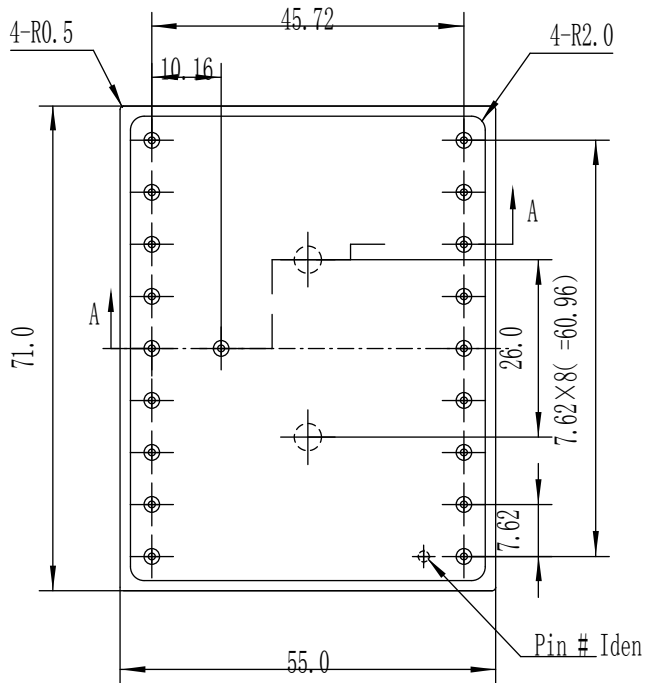
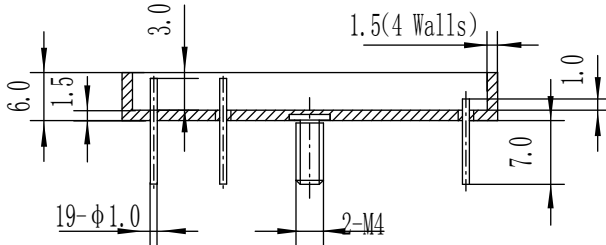
A — A



Base Material: CRS

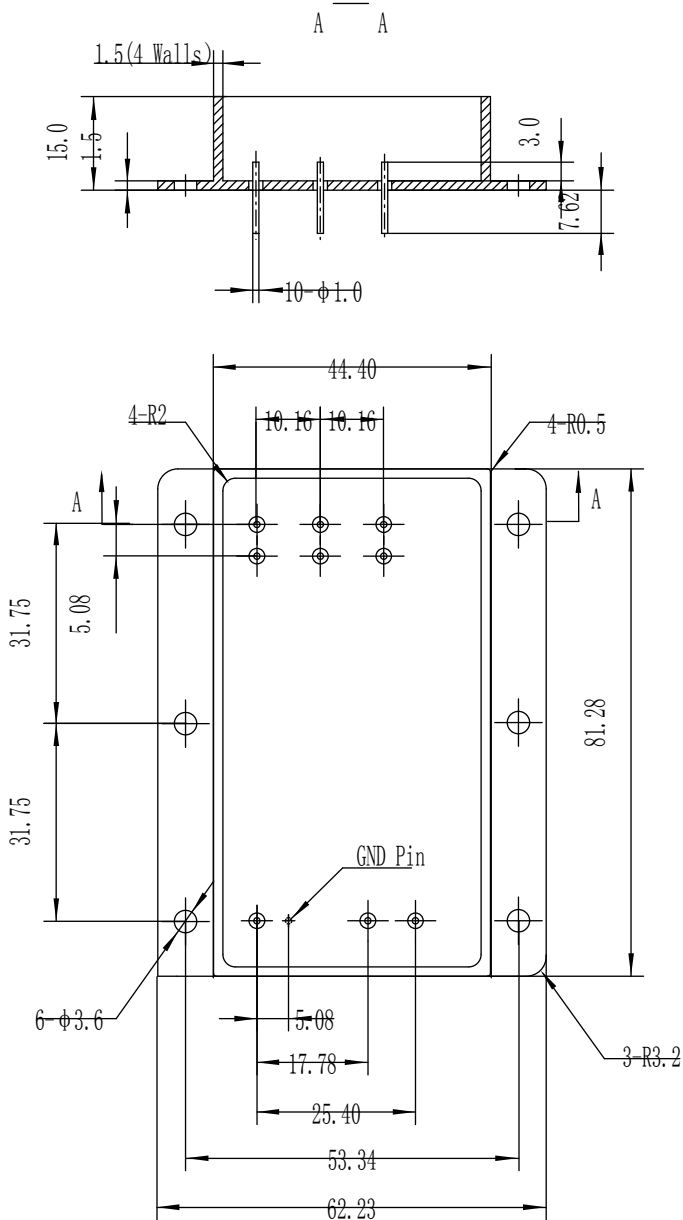
UPP7155 - 19

A — A



Base Material: CRS

UPP8144 - 10



Base Material: CRS